

THOR-50M Temperature Sensor Mounting Kits

Publication Date: January 2018

Humanetics now offers temperature sensor mounting kits for the IES-1404-LC-A sensors that have a satellite.

SBL-A Version Mounting Kit

472-3590-KIT: (Figure 1) This kit contains the temperature sensor satellite mount, a screw and the zip ties needed to mount to rib #4 location as proposed in the ISO/TC 22 SC36 N 112 (2017-07-25 draft of ISO/DTR 27957 for ballot). The kit also includes the SBL-B thoracic spine load cell flex joint adapter plate assembly (472-3733-B). This kit can be used by customers who have the SBL-A or earlier version of the THOR-50M dummy, but customers must update to the SBL-B version lower thoracic IR-TRACCs (472-3570 & 472-3580) in order to use this kit.

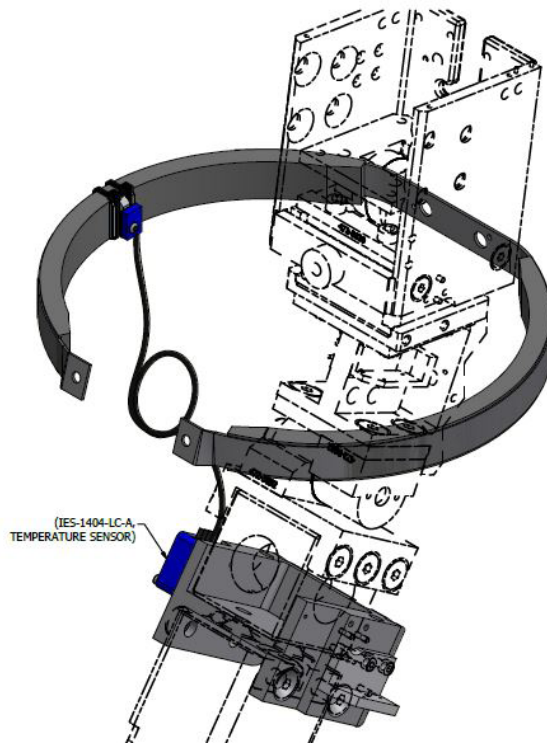


Figure 1: 472-3590-KIT



SBL-B Version Mounting Kit

472-3590: (Figure 2) This kit contains the temperature sensor satellite mount, a screw and the zip ties needed to mount to rib #4 location as proposed in the ISO/TC 22 SC36 N 112 (2017-07-25 draft of ISO/DTR 27957 for ballot). This kit can only be used if the customer has the SBL-B version of the THOR-50M dummy.

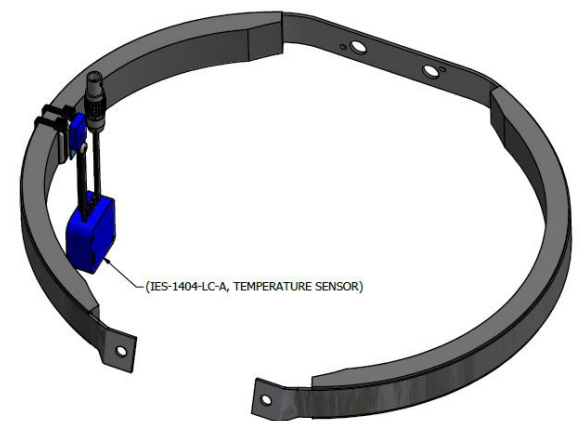


Figure 2: 472-3590

For questions please contact your Account Manager or Customer Service Representative.