

THOR-50M Lifting Bracket and Head Support

Publication Date: May 2018

A new lifting bracket with head/neck support allows more control over the transport, storage, and positioning of the THOR-50M dummy.

Background

Currently the THOR-50M ATD can be lifted by attaching a fixed bracket or by using a lifting strap attached to the rear of the upper thoracic spine box. While these methods are stable, the strap does not support the lower body and the bracket is fixed on one spine setting and distorts the pelvis flesh.

New Lifting Bracket and Head Support

New lifting and support brackets for the THOR-50M are now available. Lifting the THOR-50M with the lifting bracket provides improved stability and handling while lifting above the dummy's center of gravity. The THOR dummy can be set to the desired posture adjustment and the bracket can then be installed to preserve this setting for transport and installation into a test vehicle. Once in the vehicle, the bracket is



removed and the ATD will retain the desired test position.

The bracket will also interface with the storage chair and can be used for storage of the dummy using multiple posture adjustment settings. As such it does not require adjustment of the lumbar adjustment joint for storage in between tests, thereby reducing handling efforts. The pelvis mount is also shaped so that it does not interfere with the pelvis flesh while assembled (Figure 2, Page 2).

A bracket for neck support is available to avoid any loading of the rubber components while assembled.

Components

Part No.	Description
472-8120	NECK STORAGE ASSEMBLY
472-8130	LIFTING/STORAGE ASSEMBLY

(con't)

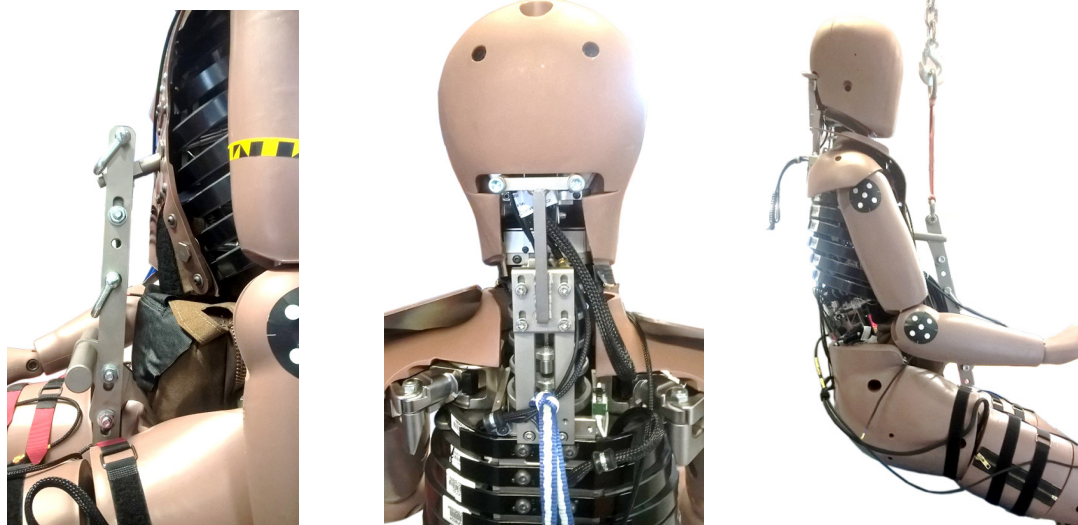


Figure 1 -THOR-50M Lifting Bracket and Head/Neck Support

THOR-50M Lifting Bracket (Con't)

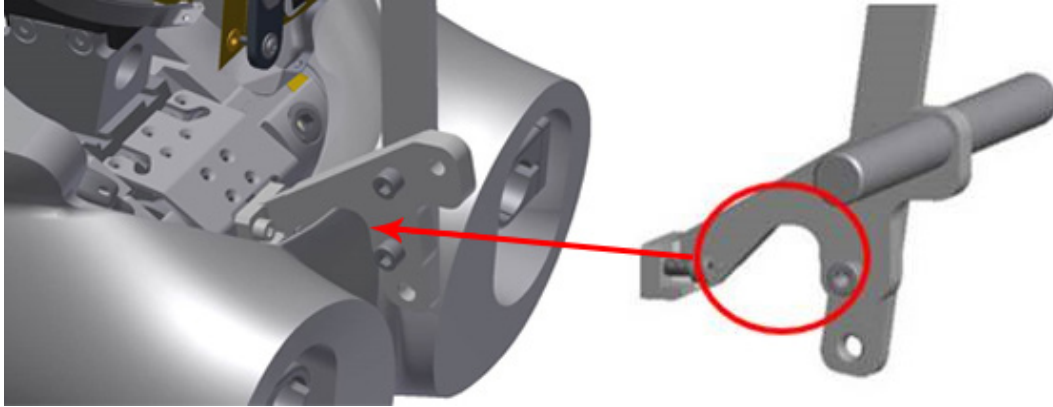


Figure 2 -THOR-50M Lifting Bracket Pelvis Mounting

Previous Lifting Bracket Update Instructions

Instructions in the Humanetics THOR-50M user manual for using the lifting bracket assembly (472-8100) previously supplied with the dummy instructed users to set the bracket to the neutral position for storage. Since first publication, Humanetics believes setting the bracket to the slouch position is the optimal setting and may alleviate unwanted set in the lumbar or thoracic flex elements. THOR ATDs using the previous lifting bracket (472-8100) are now advised to update their settings to the slouched position with the neck vertical for improved storage.

For questions please contact your Account Manager or Customer Service Representative.